



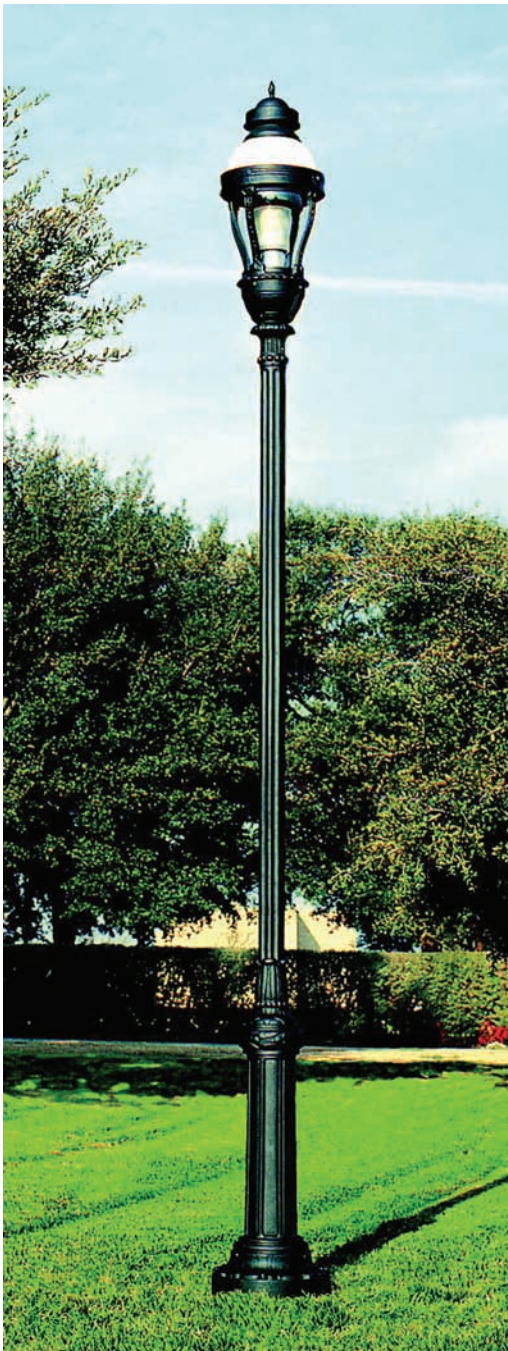
Decorative Street Lighting

Options offered by:



In response to our customers desire for more variety in street light accessories, Oncor Electric Delivery has expanded its selection of street lights to include classically designed poles and luminaires.

The cast aluminum poles and coordinated fixtures shown in this brochure offer both longevity and beauty, an unbeatable combination for any development.





Decorative street lights detailed in this brochure will be offered under the following terms:

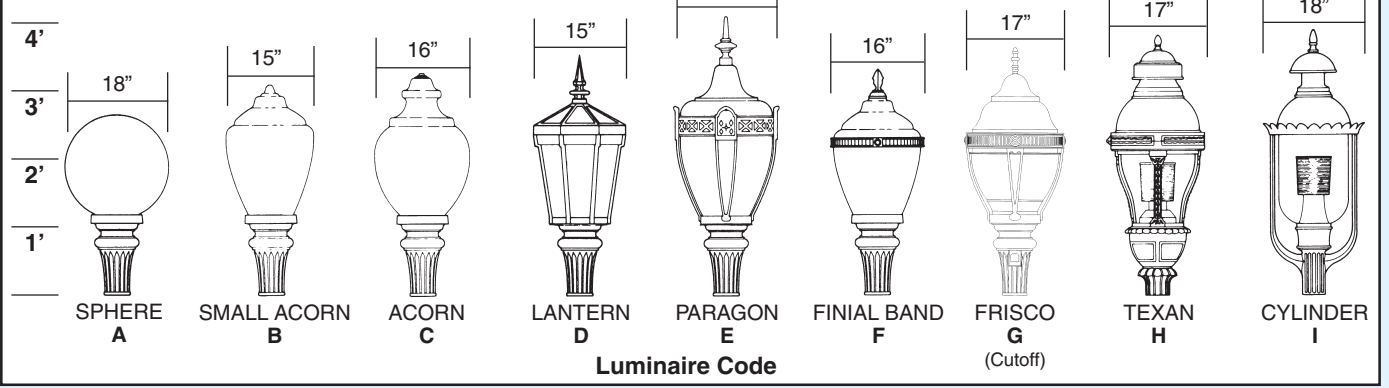
- Oncor Electric Delivery will provide decorative lighting when a city requests an installation from the selection in this brochure, perhaps at the request of a land developer who would like to enhance the appearance of a particular subdivision.
- The difference in cost between the decorative lighting installation and the standard light on a wood pole served with overhead construction, as set out in the street lighting service rate, schedule A, may be borne by the original requesting party, either the city or a land developer.

- The city must formally request Oncor Electric Delivery to install the decorative lighting desired and provide the lighting design or design parameters to the company for its design.

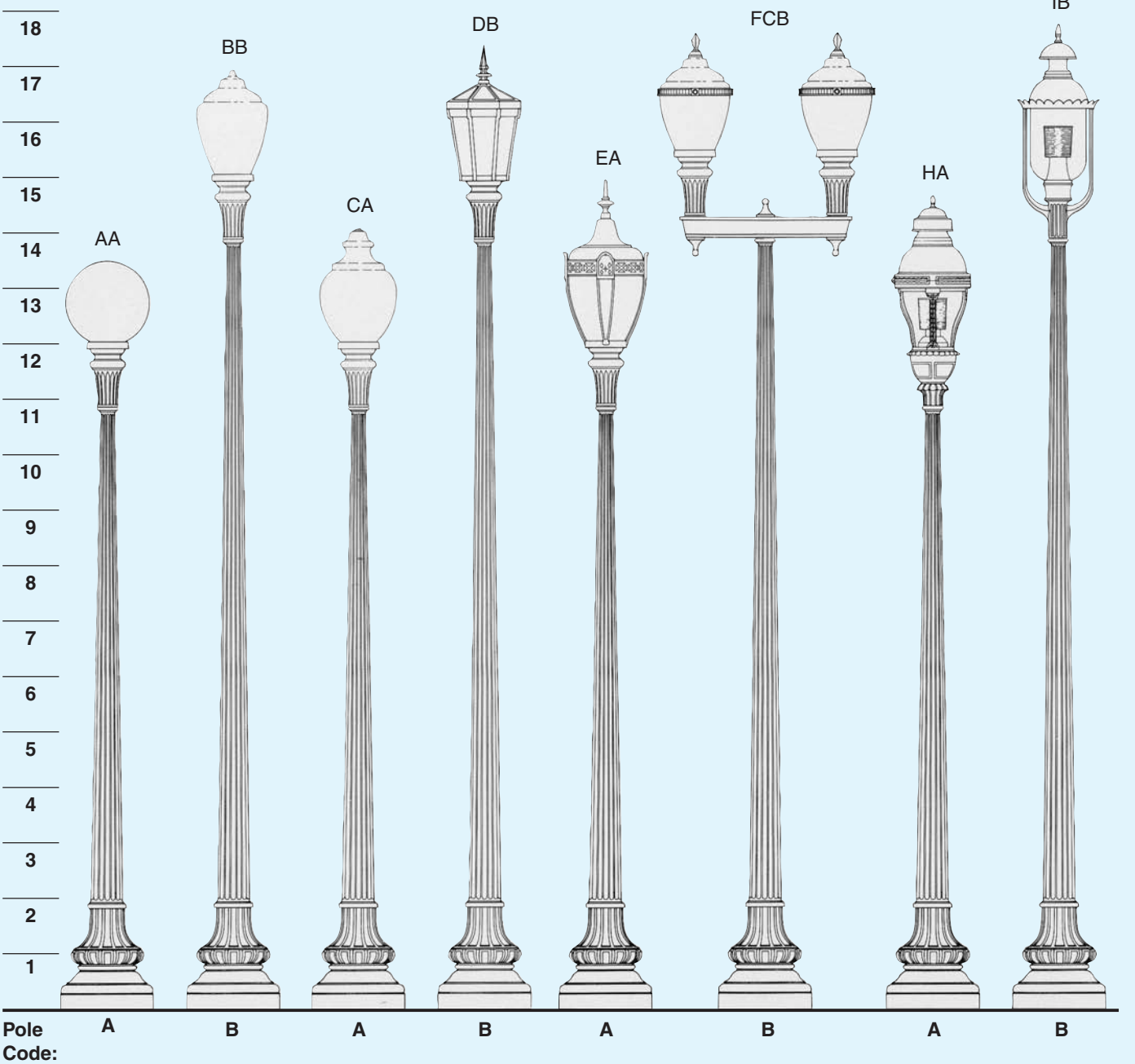
Oncor Electric Delivery has a commitment to serve our communities. Our decorative street light program is a direct response to customer requests for lighting that is both functional and fashionable.



LUMINAIRES



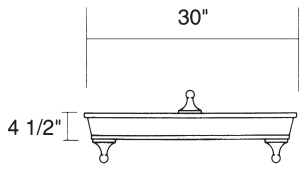
FEET



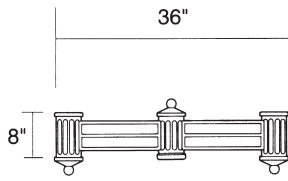
AMERICAN STYLE POLES

Oncor Electric Delivery's decorative poles are made of cast aluminum and are powder coat painted at the factory. Oncor's only standard color offering for decorative poles and luminaires is black.

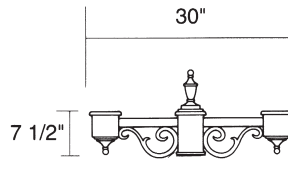
BRACKETS FOR MULTIPLE LUMINAIRES



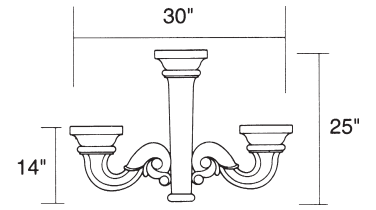
CAPITOL
C



CENTRAL PARK
P

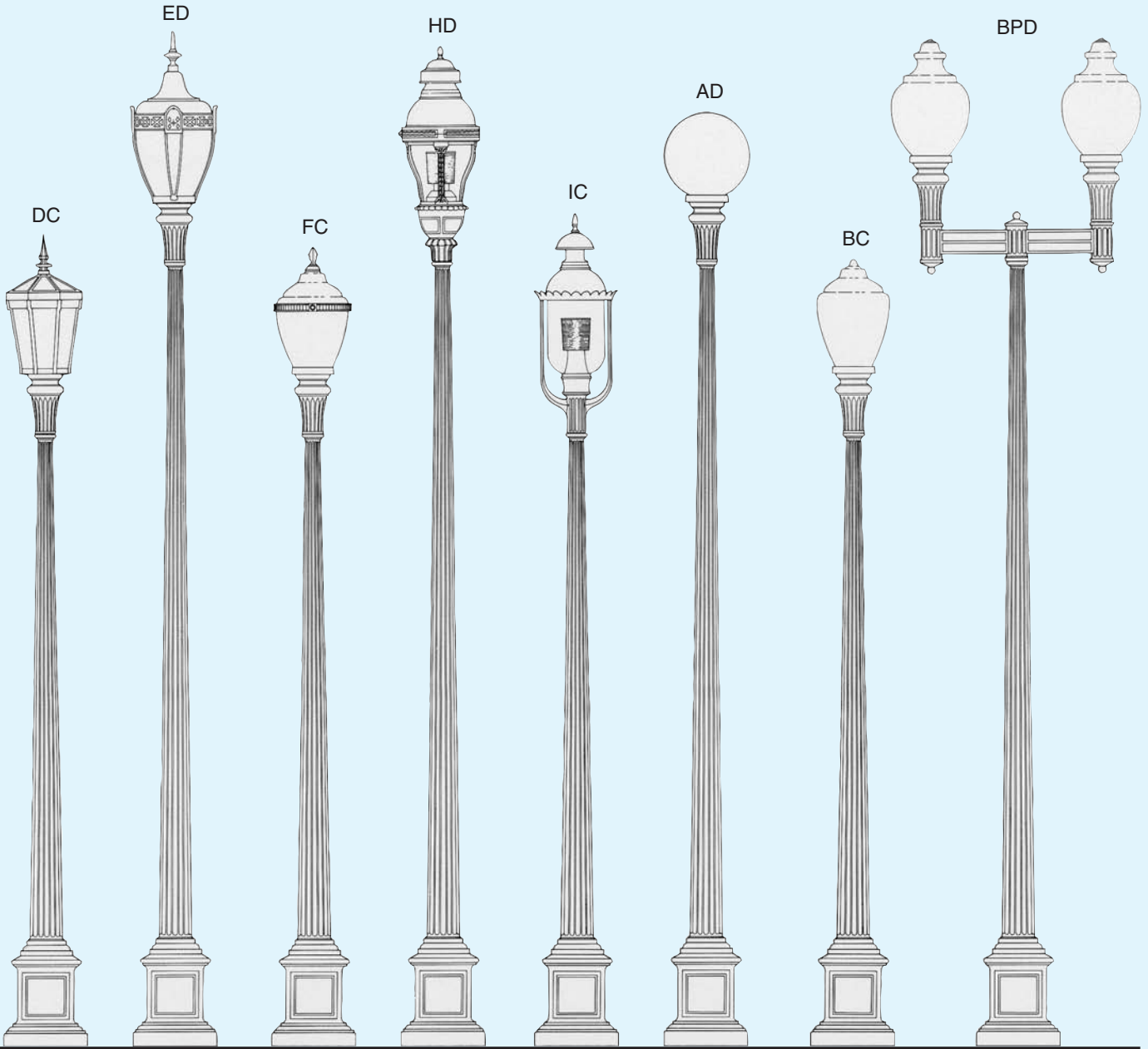


CAPITOL SCROLL
S



VICTORIAN
V

Bracket
Code:



Pole
Code:

C

D

C

D

C

D

C

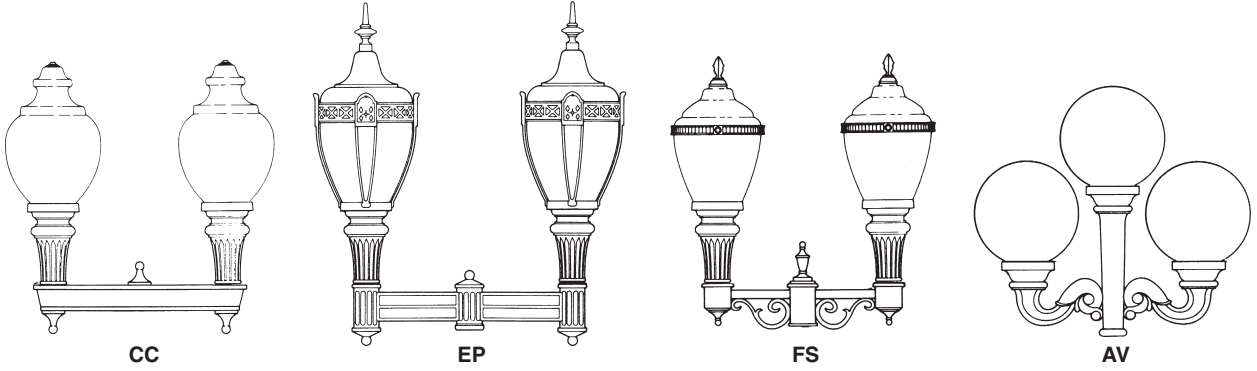
D

TEXAN STYLE POLES

Decorative poles are installed on Oncor Electric Delivery's standard 24-inch diameter concrete foundations using four 3/4" x 24" L-shaped anchor bolts placed in a 15-inch bolt circle configuration.

MULTIPLE LUMINAIRE EXAMPLES

Luminaire
Bracket
Code:



Pole
Code:

A

B

A

B

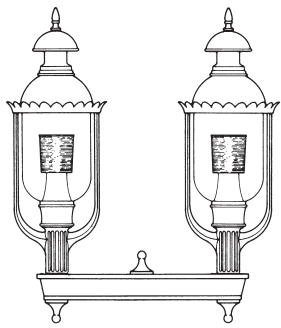
A

B

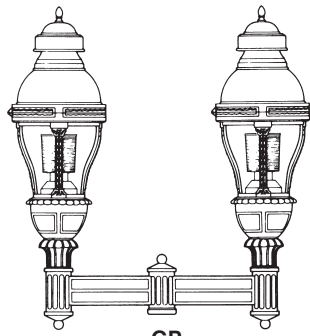
A

B

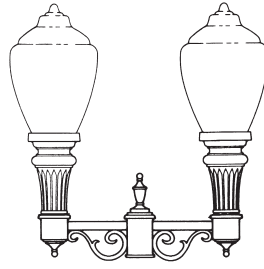
EUROPEAN STYLE POLES



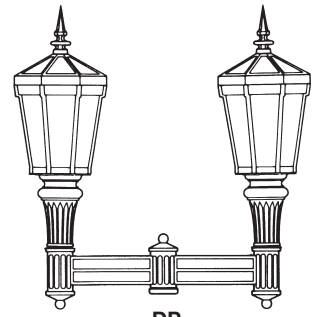
HC



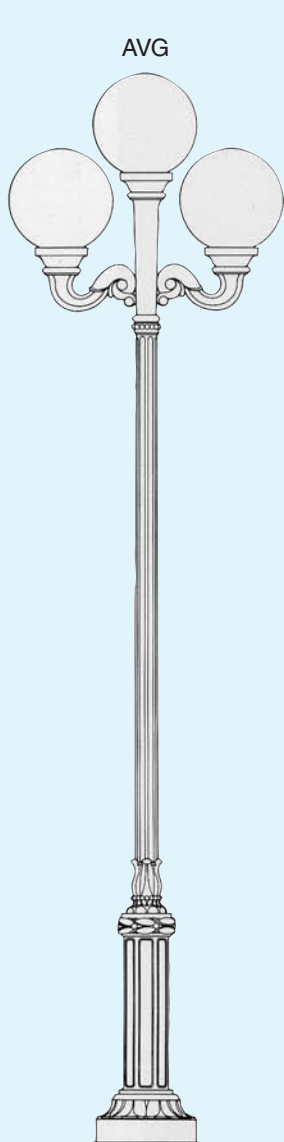
GP



BS



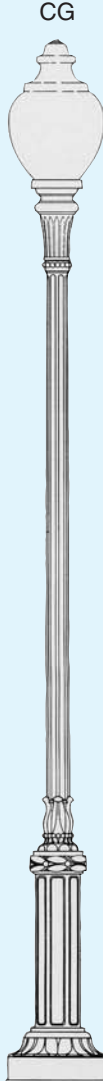
DP



AVG



BG



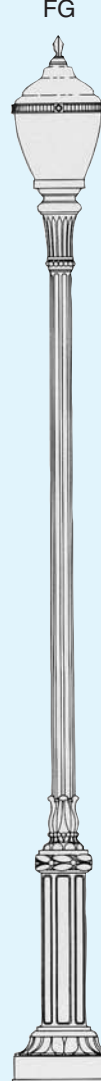
CG



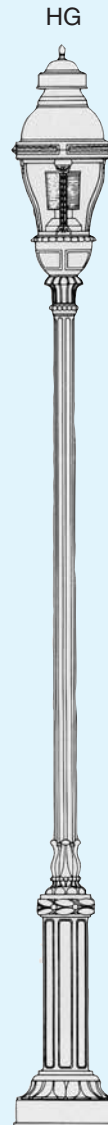
DG



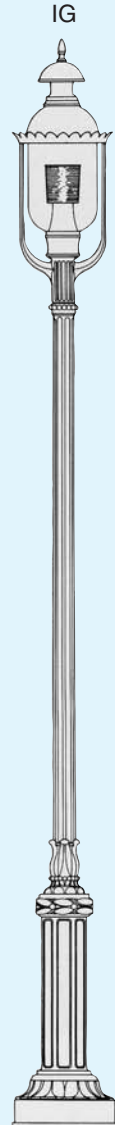
EG



FG



HG



IG

FEET

18

17

16

15

14

13

12

11

10

9

8

7

6

5

4

3

2

1

Pole Code: G

G

G

G

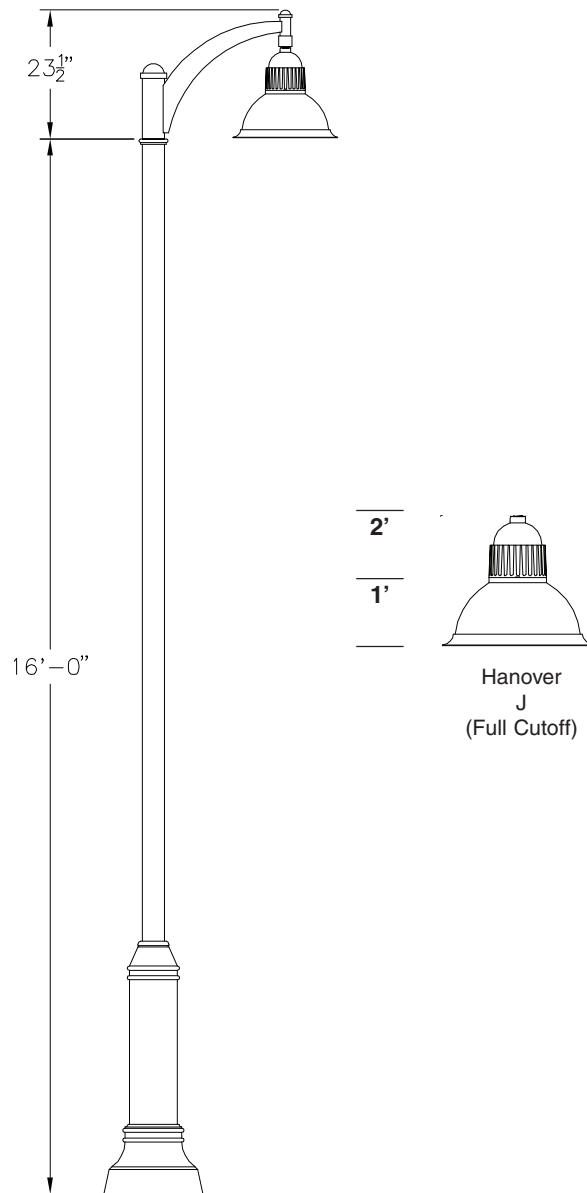
G

G

G

G

CENTRAL PARK STYLE POLES



Philadelphia Style Pole

* Because of different tenon size, ONLY the Hanover Luminaire and bracket arm can be used with the Philadelphia style pole.

Luminaire Notes:

- Luminaires are available with a light source of 175 Watt Metal Halide or 100 Watt High Pressure Sodium.
- A thru G luminaire styles, when used with the "V" Victorian bracket, require special type luminaires and photo cells.
- H and I luminaires cannot be used on "V" Victorian bracket.

Bracket Notes:

- Capitol bracket (C) mounts two luminaires of styles A thru I.
- Victorian bracket (V) mounts three luminaires of styles A thru G. Styles H and I cannot be used.

